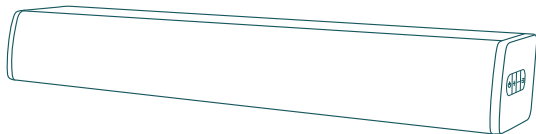







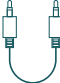

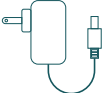
Quick Start

(S7020HP)

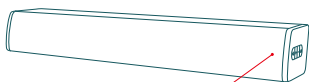









Please read all instructions before use for the best performance of this product. Save these instructions for future reference.

Box Contents

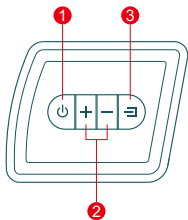
 <p>Sound Bar</p>	 <p>Remote Control</p>	 <p>Quick Start</p>
 <p>Mount Screws and Wall Mount Brackets</p>	 <p>Wall mount template</p>	
 <p>3.5mm to 3.5mm audio cable</p>	 <p>Digital Optical cable</p>	 <p>Power Adapter</p>

LED Indicators and Button Introduction



 <p>Standby</p>	 <p>Bluetooth</p>	 <p>ARC</p>	
 <p>Optical</p>	 <p>Coaxial</p>	 <p>AUX</p>	 <p>USB</p>

Right side of Sound Bar



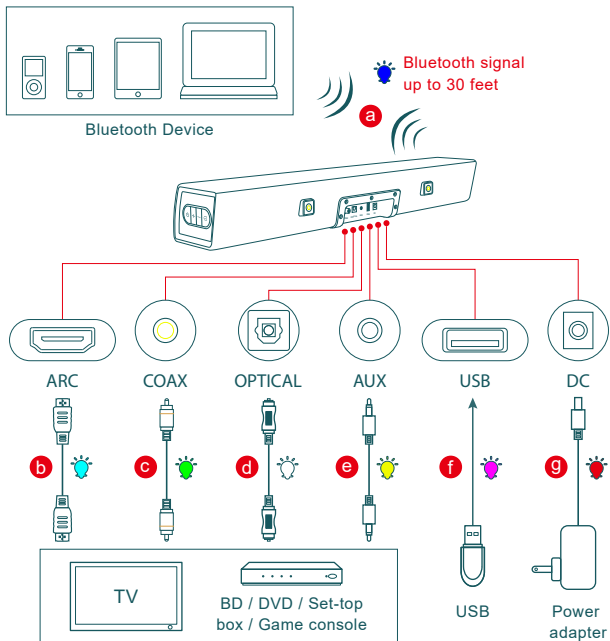
- 1 Press to turn on/change the audio source; Press and hold it to turn off
- 2 Press to previous/next track; Press and hold it to decrease/increase the loudness of audio
- 3 Select the source input mode(Bluetooth -> Optical ->Coaxial -> AUX -> ARC -> USB); Press and hold to reset treble and bass to factory settings

Know Your Remote



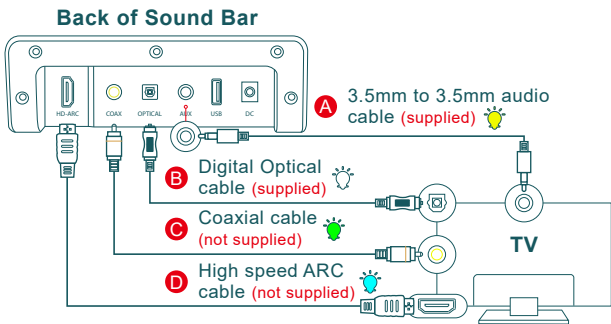
	Power button		Mute/Unmute	
	Volume up		Volume down	
	Previous track		Next track	
	Play/pause			Increase or decrease treble
		Increase or decrease bass		Restore factory settings
	Movie mode		Music mode	
	Dialogue mode		Bluetooth mode	
	Optical mode		ARC mode	
	Coaxial mode		AUX mode	
	USB mode			

Connection Diagram



- a** Bluetooth
- b** High speed ARC cable (not supplied)
- c** Coaxial cable (not supplied)
- d** Digital Optical cable (supplied)
- e** 3.5mm to 3.5mm audio cable (supplied)
- f** USB (not supplied)
- g** Power Adapter (supplied)

Connecting with a TV



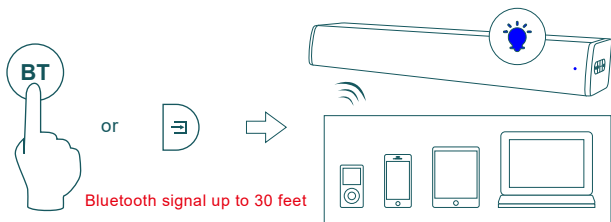
- A** Method 1. Connecting using a 3.5mm to 3.5mm audio cable. Select AUX mode.
- B** **C** Method 2. Connecting using an Optical/Coaxial cable. Select Optical/Coaxial mode and set the TV's audio output to "PCM".
(More information on PCM page)
- D** Method 3. Connecting using an High speed ARC cable. Select ARC mode and set the TV's audio output to "PCM".
(More information on PCM page)

Setting "PCM" on your TV

When all cables are connected properly, and LED indicator lights properly, if there is no sound from tv or Sound Bar, please setting your tv as below:

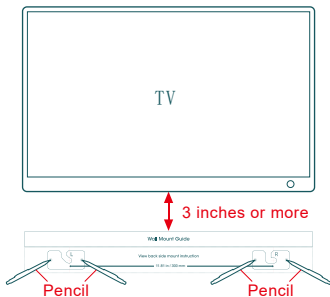
1. Press "Menu" on the TV's remote control.
2. Press the arrow keys on the remote to scroll to "Audio Settings."
3. Press "OK" on the remote control.
4. Scroll to "Advanced Audio" and press "OK". Some televisions may not have an "Advanced Audio" menu and may list various audio settings instead.
5. Scroll to "Audio Output Mode" or "Digital Audio Output Mode" and press "OK".
6. Scroll until "PCM" is displayed as the current audio output.
7. Press "OK" to save the settings.

Connecting a Bluetooth Device



- a. Press the "BT" button on the remote or press the "BT" button on the right side of Sound Bar, the LED indicator blinks blue.
- b. Turn on Bluetooth on the Bluetooth device.
- c. Select "S7020HP" and connect it. When your Bluetooth device is connected, the LED indicator blinks blue slowly.
- d. Play music files from the device, connected via Bluetooth, through the Sound Bar.

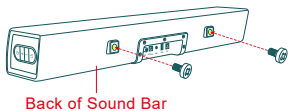
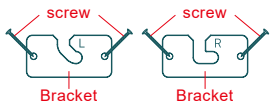
Installing the Wall Mount



1. Place the wall mount guide against the wall surface. Push a pencil tip to mark the four bracket holes for supporting screws, and then remove the wall mount guide.

- The template must be level.
- Leave 3 inches at least between the template and TV.

2. Using an appropriately sized drill bit, drill a hole in the wall at each marking. Push a screw through each bracket, and then screw each screw firmly into a support screw hole.



3. Insert the two wall-mount screws into the wall-mount screw holes, and then tighten them with a screwdriver.

4. Plug in power cable and audio cable before install the Sound Bar on the wall.

Install the Sound Bar by hanging on the brackets on the wall.



Install the Sound Bar

Troubleshooting

If you have a problem with your Sound Bar, there is quick simple solution, first make sure:

- The cables between Sound Bar and input devices are securely connected, the power adapter is also connected to a working power source.
- The adapter LED indicator is lighting, and the LED indicator is lighting in the middle of Sound bar.

No sound or crackling noise

- Check if all cables are connected properly.
- Press Mute on the remote to ensure the Sound Bar is not muted.
- Press Volume+ on the remote or the right side of your Sound Bar.
- Make sure you have selected the right input source on your remote, and the LED is lighting accordingly.
- If using Bluetooth, check if the sound on your device is under minimum volume.
- If using Optical, check if your device (TV/Cable Box/Projector/etc.) audio output set to PCM or turn the Dolby/dts off.
- When using cable connection, make sure your device has audio output port (not input).

Remote isn't working

- Check if the battery is installed properly with power.
- Check if the signal of the receiver is covered by something.
- Contact your retailer for assistance.

I hear buzzing or humming

- Ensure all cables and wires are securely connected.
- Connect a different source device (TV, Blu-ray player, etc) to see if the buzzing persists. If it does not, the problem may be with the original device.
- Connect your device to a different input on the Sound Bar.

Bluetooth can't be connected

- Check if the Sound Bar is connected with the third Bluetooth device.
- Be sure that there are no solid obstructions between the Sound Bar and source device.(within 30 feet)
- Reboot the Bluetooth and connect again.

Hear echo when watching TV

- Setting your TV audio to External Speaker.
- Mute the TV speaker.

Have other questions?

- Please contact with your retailer for assistance.

Thanks for reading!

Best Artisan Corp.

801 DUPONT AVE SUITE F & G, ONTARIO, CA, 91761.

service@bestisan.com